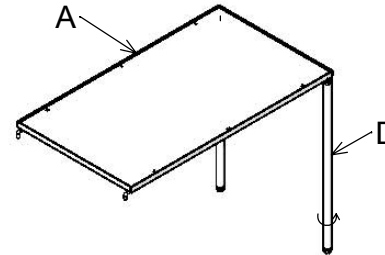


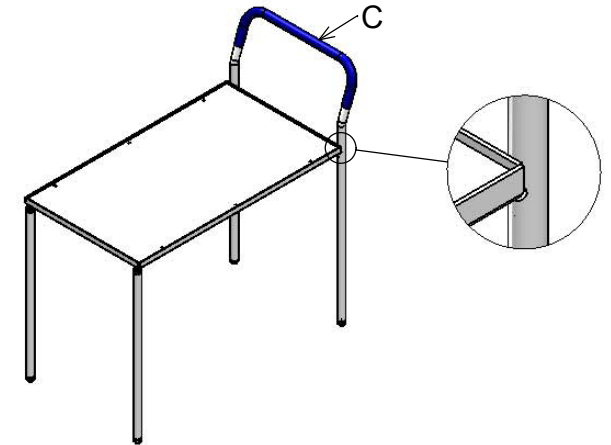
# ASSEMBLY INSTRUCTION (LIGHTWEIGHT TROLLEY)

A		Top shelf 1 pc
B		Bottom shelf 1 pc
C		Back leg 1 pc
D		Front leg 2 pcs
E		Wheel 100 (without break) x 4 pcs
F		Hex socket bolt M10x30 & lock washer x 4 set
J		Allen key 1 pc

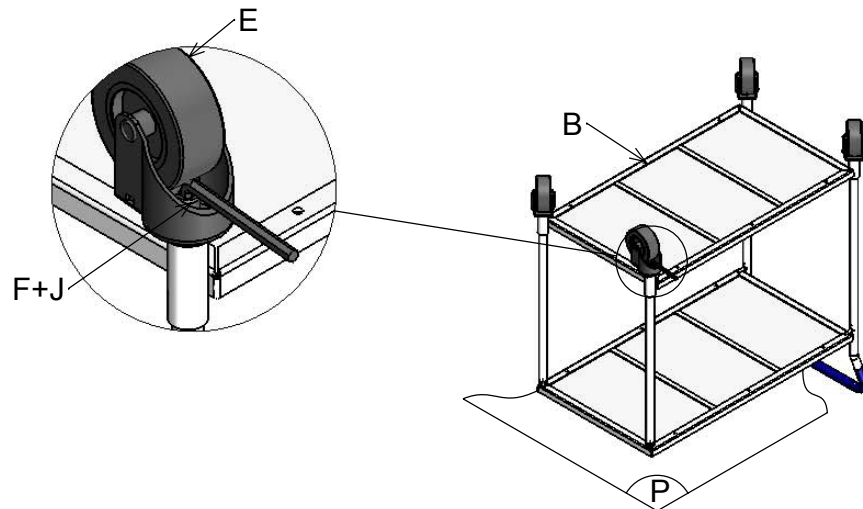
Step 1: Assemble front legs.



Step 2: Assemble back leg.



Step 3: Assemble the wheels.



Finished.

