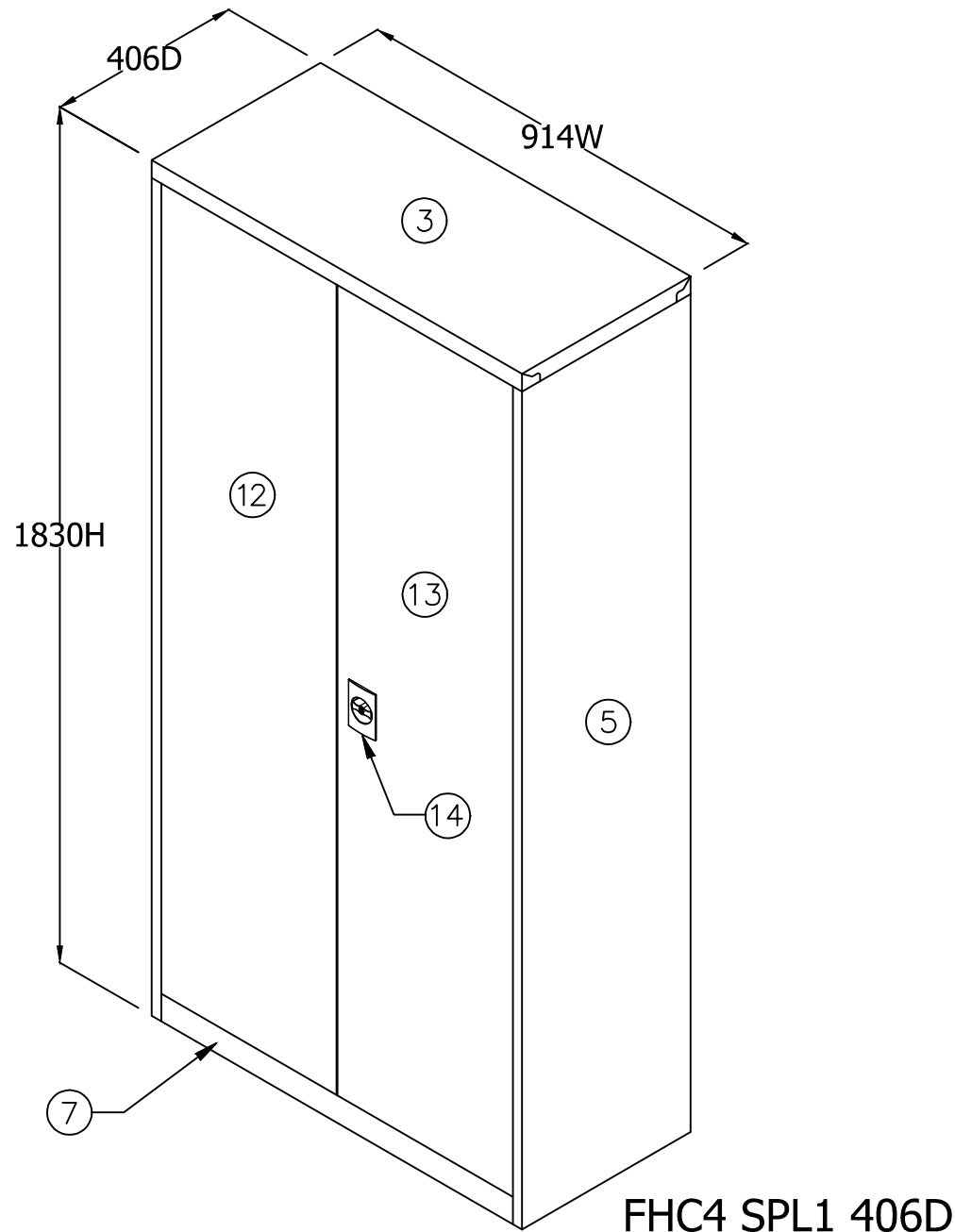


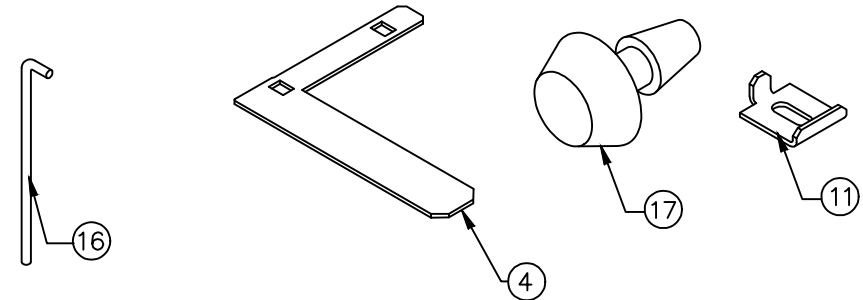
# ASSEMBLY INSTRUCTIONS FOR FASTENER FREE CUPBOARD

FHC4 SPL1 406D : 1830 H X 914 W X 406 D

\* PLEASE STUDY THE ASSEMBLY INSTRUCTION CAREFULLY & FAMILIARIZE YOURSELF WITH THE PARTS BEFORE ASSEMBLY.



## HARDWARE

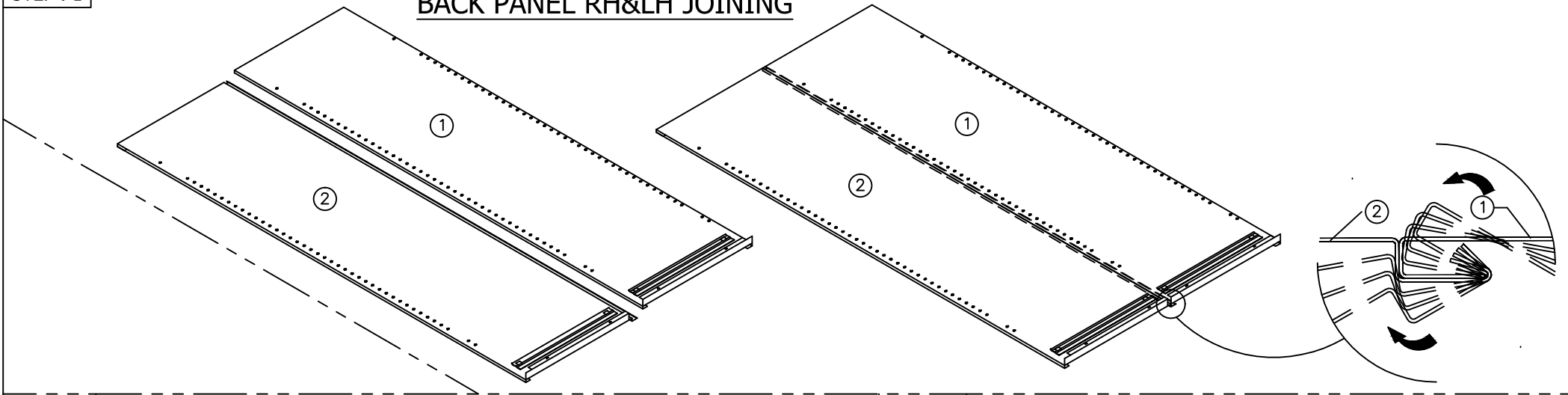


## Part List

Part No.	Description	Qty. (FHC4)	Carton Box
1	R.H.Back panel	1	A
2	L.H.Back panel	1	A
3	Top panel	1	B
4	'L' Piece	2	B
5	R.H.Side panel	1	A
6	L.H.Side panel	1	A
7	Front frame assembly	1	B
8	Back frame assembly	1	B
9	Bottom panel	1	B
10	Shelf	4	B
11	Shelf support bracket	20	B
12	L.H.Door	1	A
13	R.H.Door	1	A
14	Flush handle 3-Way lock	1	A
15	Shooting bolt	2	A
16	Hinge pin	6	B
17	Banger	4	B

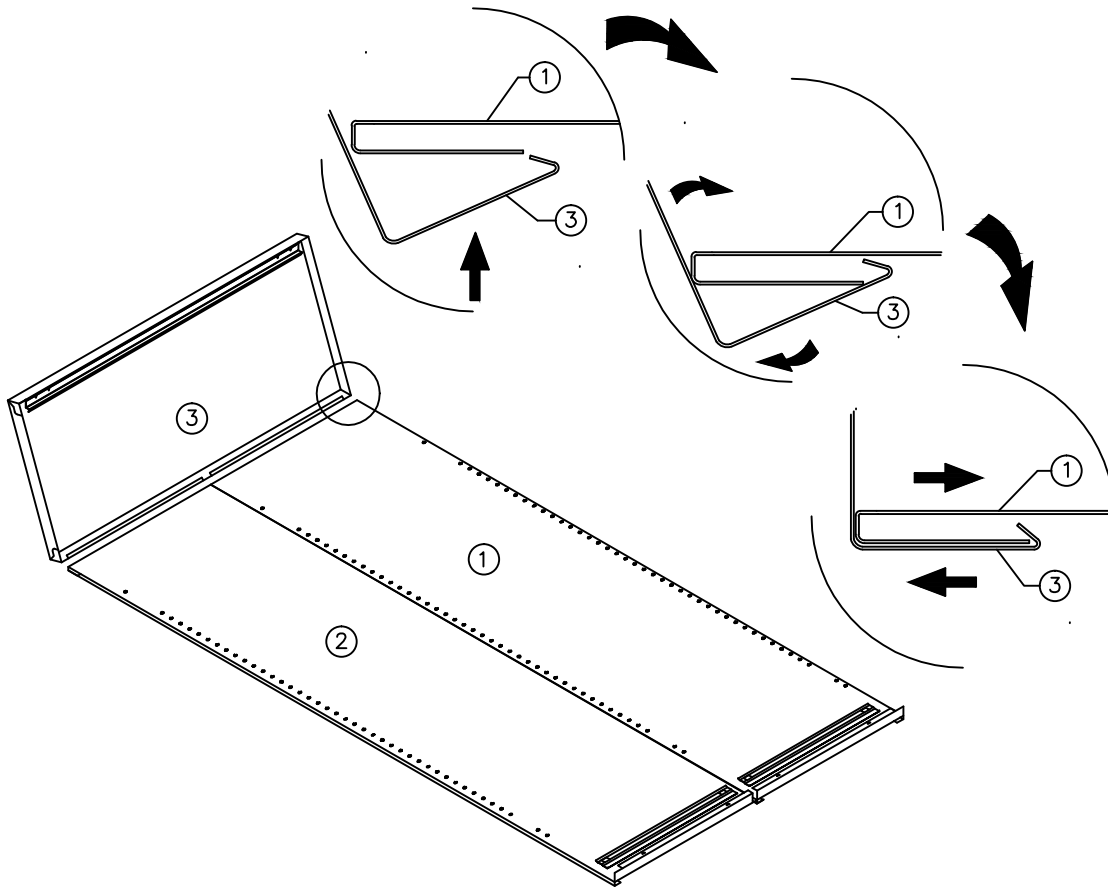
STEP : 1

### BACK PANEL RH&LH JOINING



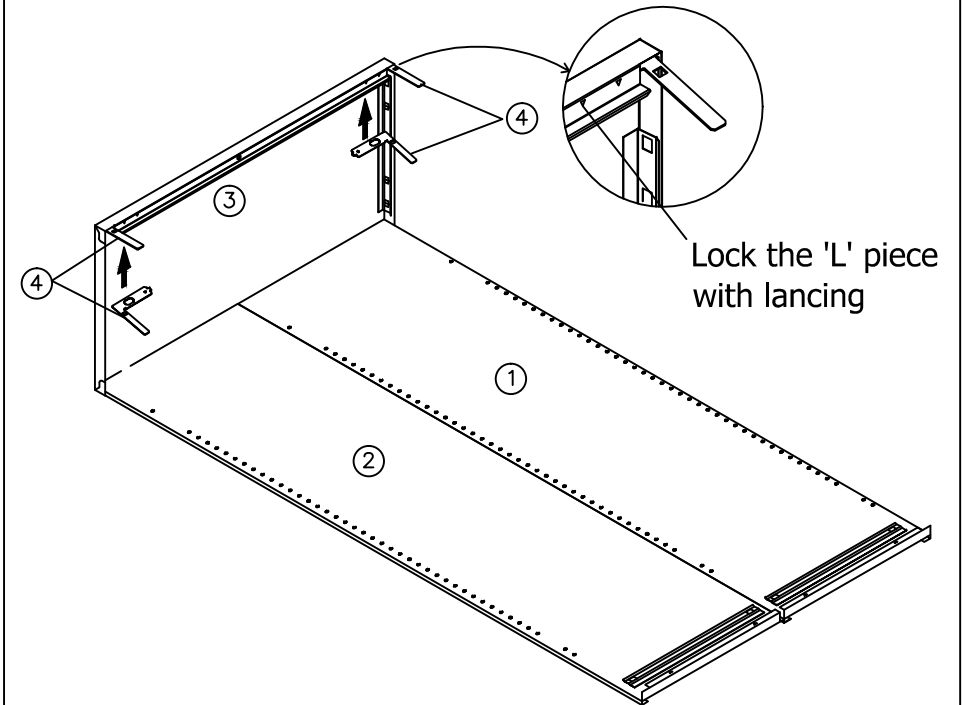
STEP : 2

### TOP PANEL INSERTION



STEP : 3

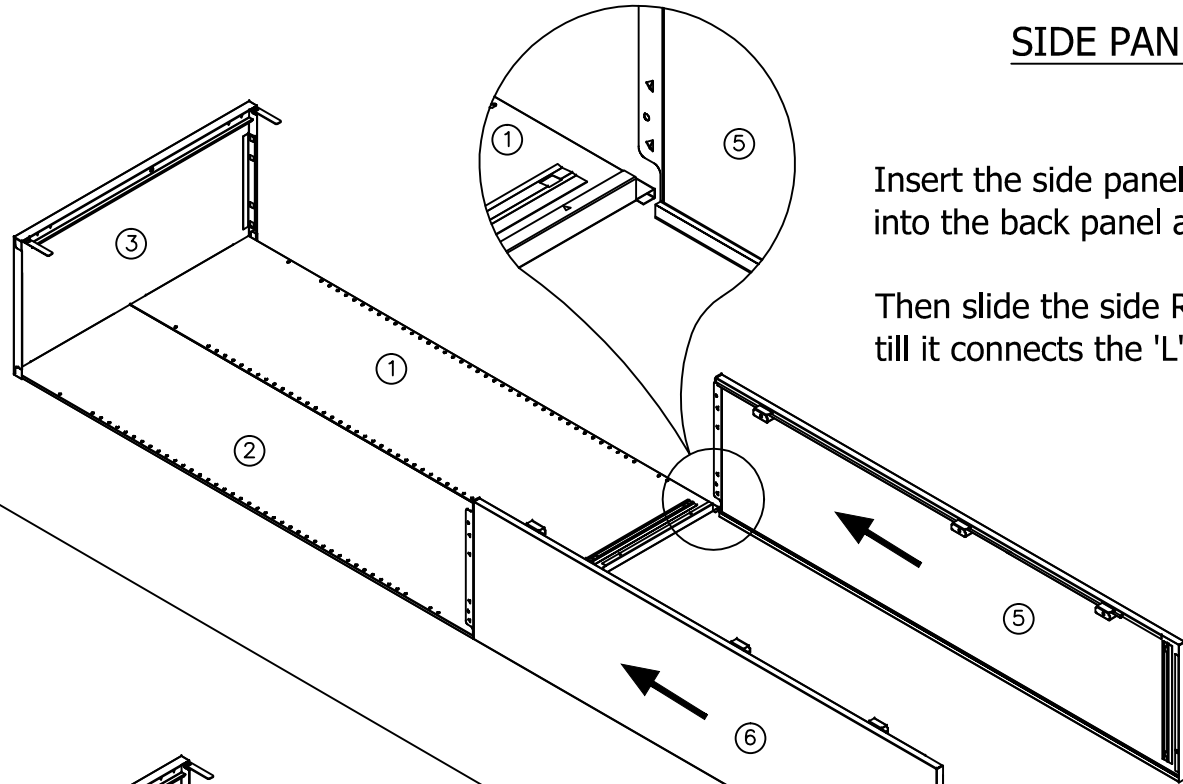
### LOCATING THE CORNER STRENGTHENING PIECE IN THE TOP PANEL



Lock the 'L' piece with lancing

STEP : 4A

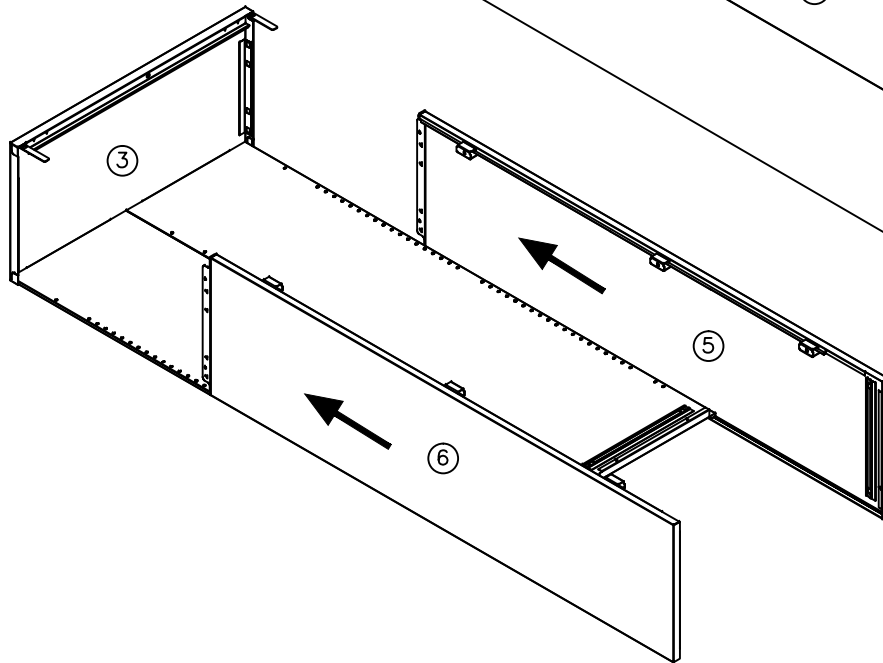
### SIDE PANEL INSERTION



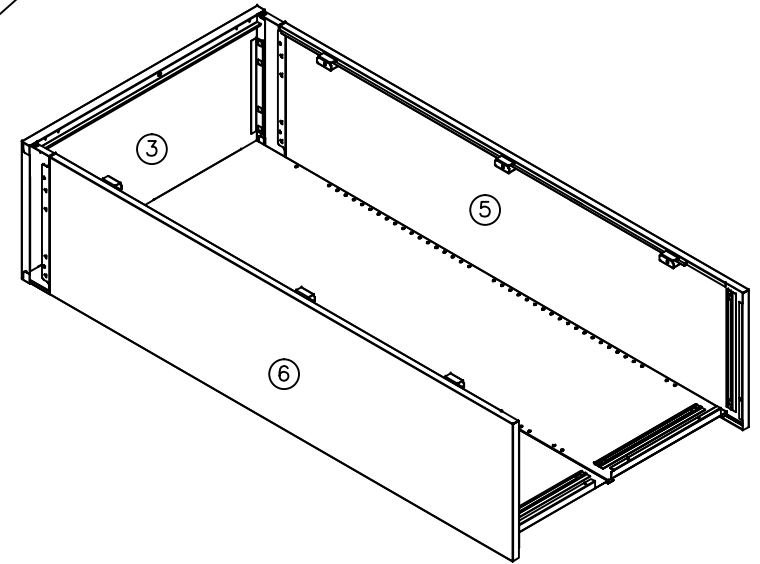
Insert the side panel RH & LH into the back panel as shown.

Then slide the side RH & LH till it connects the 'L' piece.

STEP : 4B

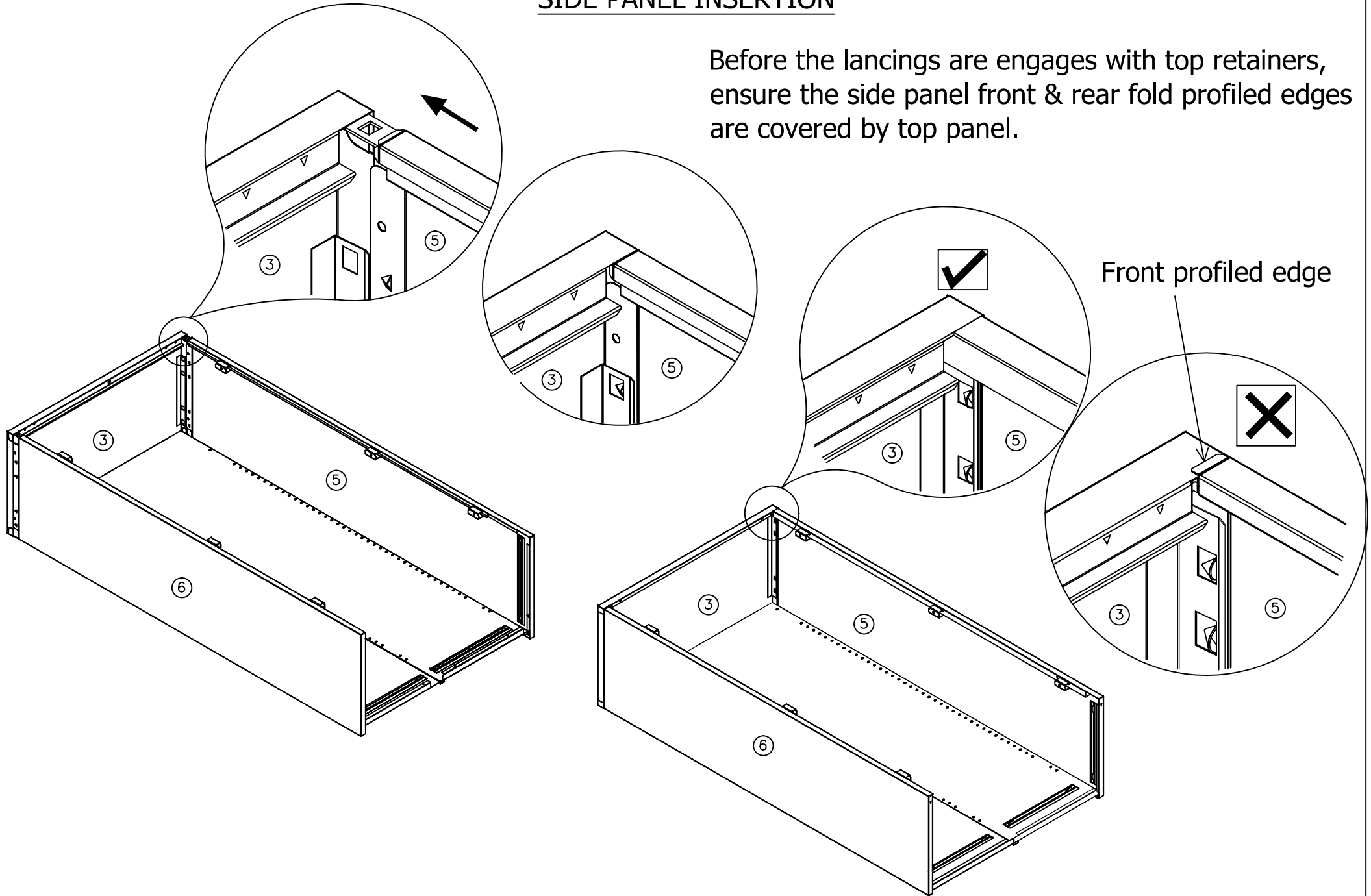


STEP : 4C

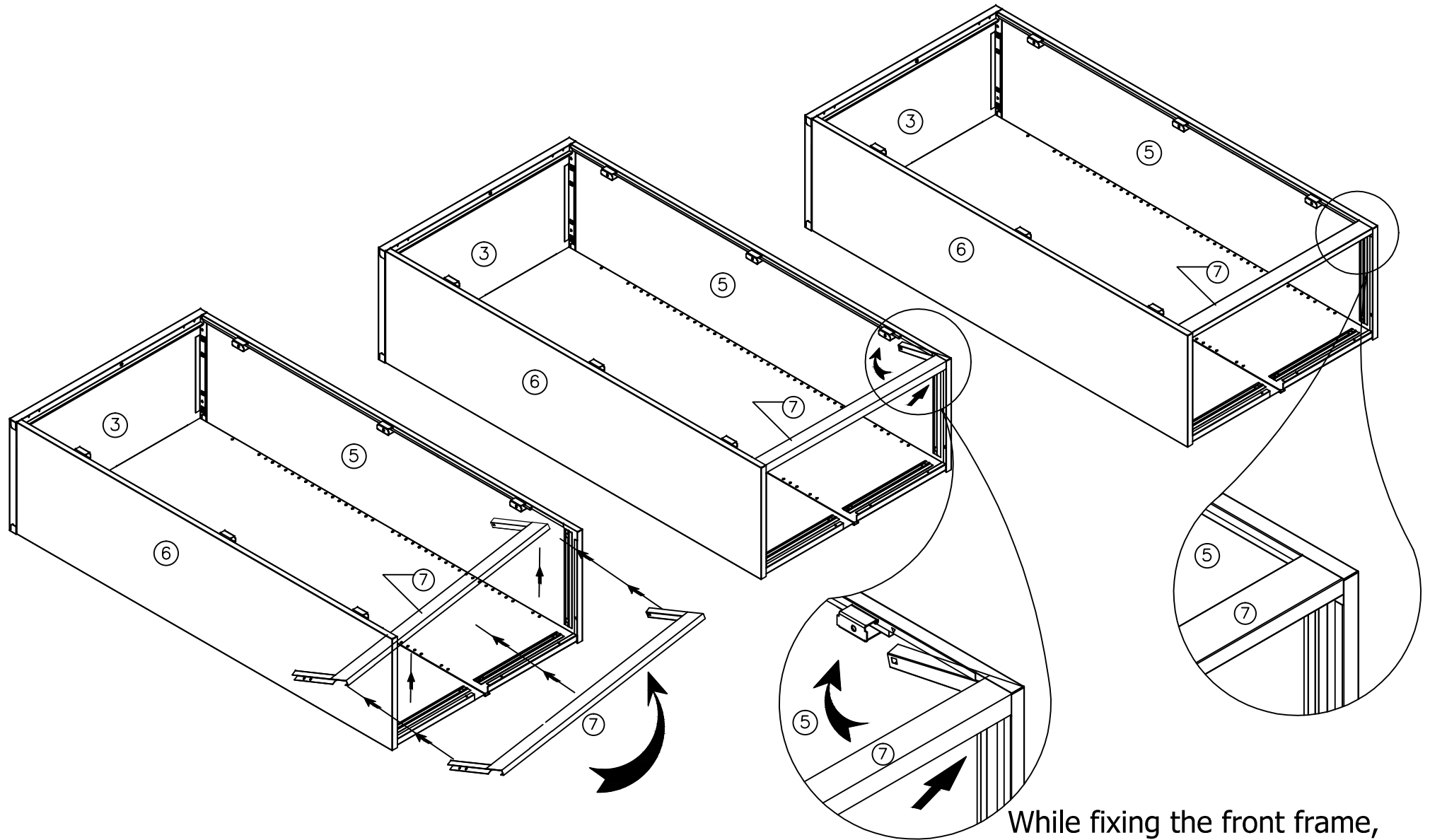


### SIDE PANEL INSERTION

Before the lancing are engages with top retainers, ensure the side panel front & rear fold profiled edges are covered by top panel.



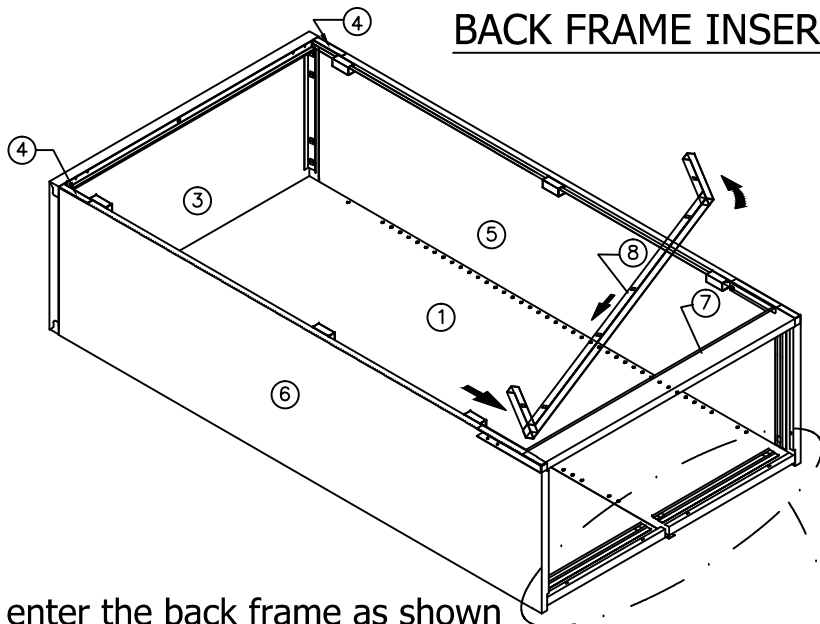
## FRONT FRAME INSERTION



While fixing the front frame, ensure side panels front fold lancing's are engage with the front frame slots.

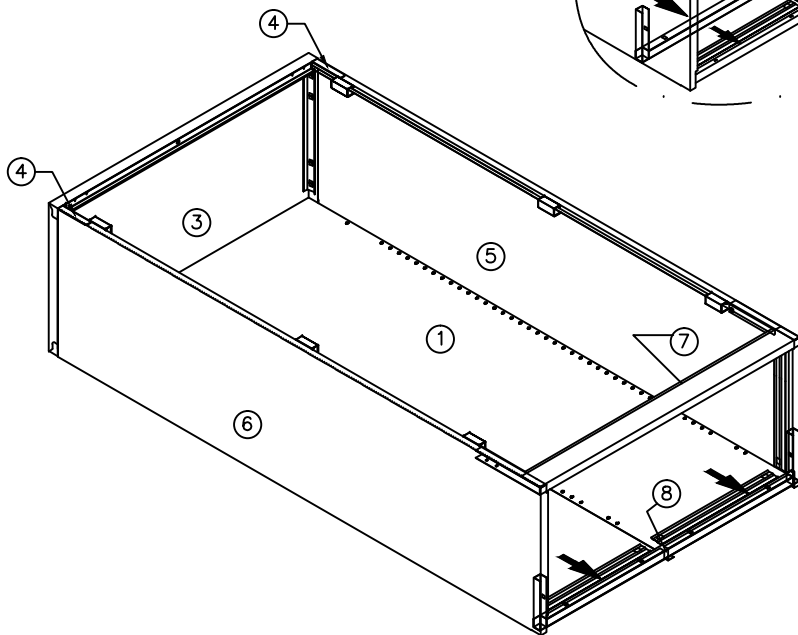
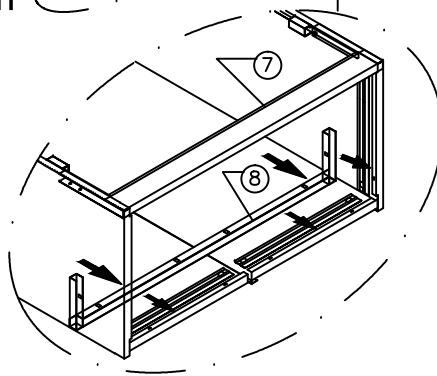
STEP : 7

### BACK FRAME INSERTION



Tilt and enter the back frame as shown and insert into the side & back folds.

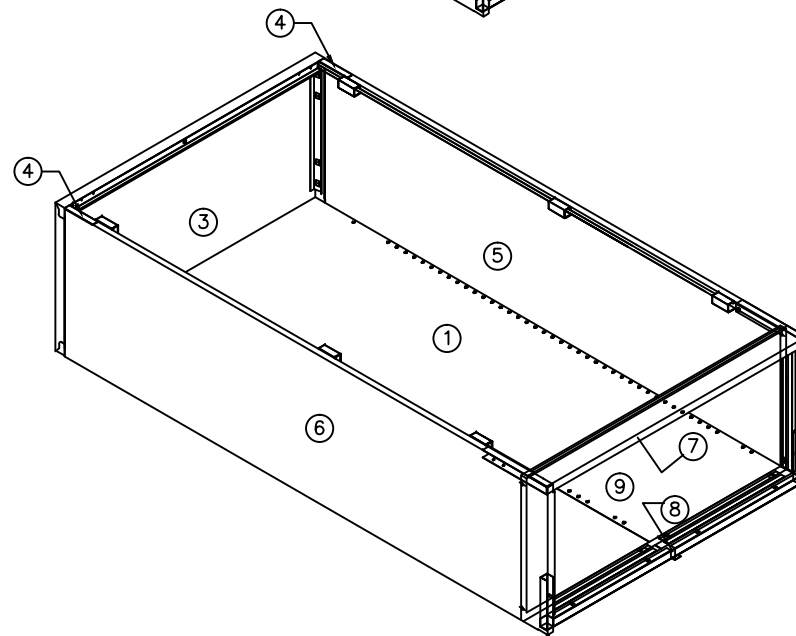
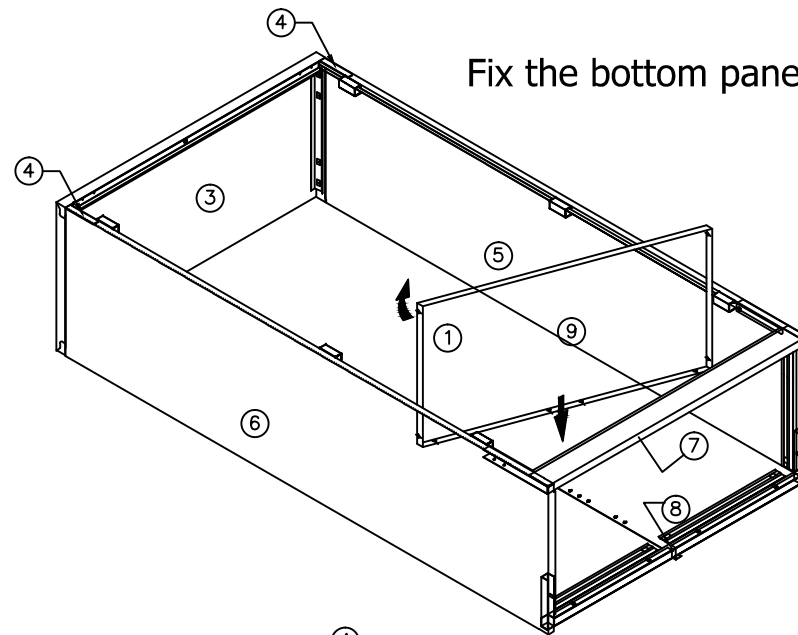
While fixing back frame, ensure the side panels and back panels bottom fold lancing's are engage with the back frame slots.



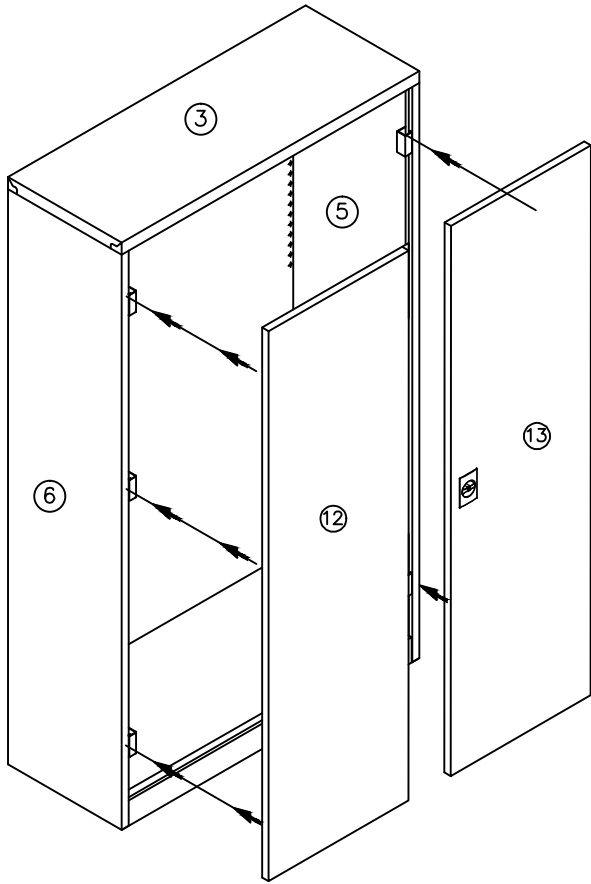
STEP : 8

### BOTTOM PANEL FIXING

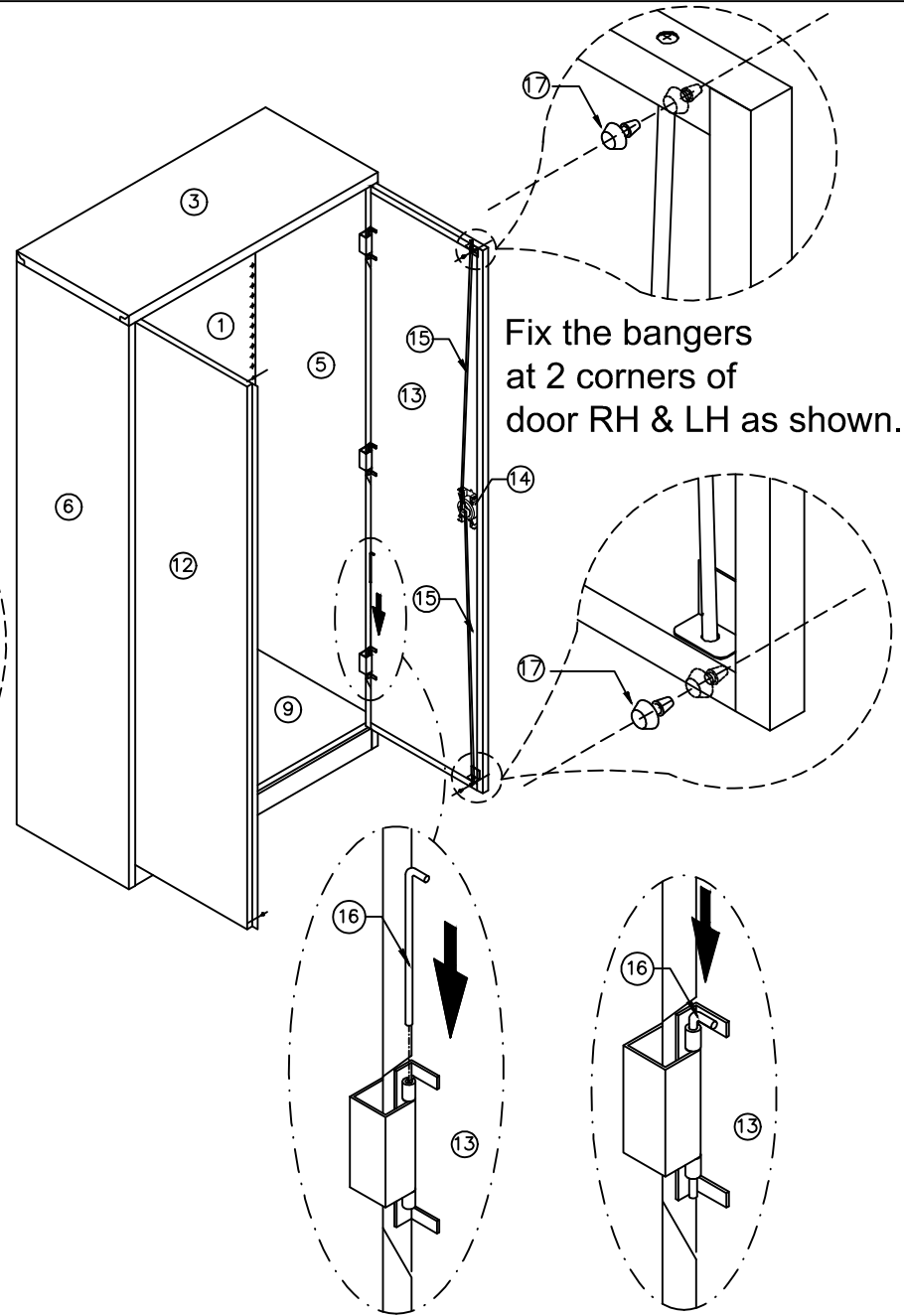
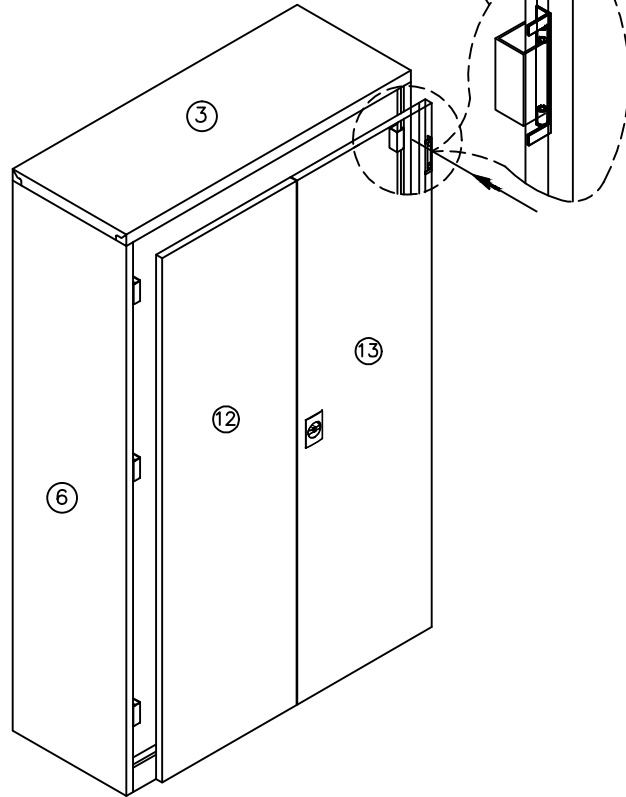
Fix the bottom panel as shown.



### DOOR FIXING

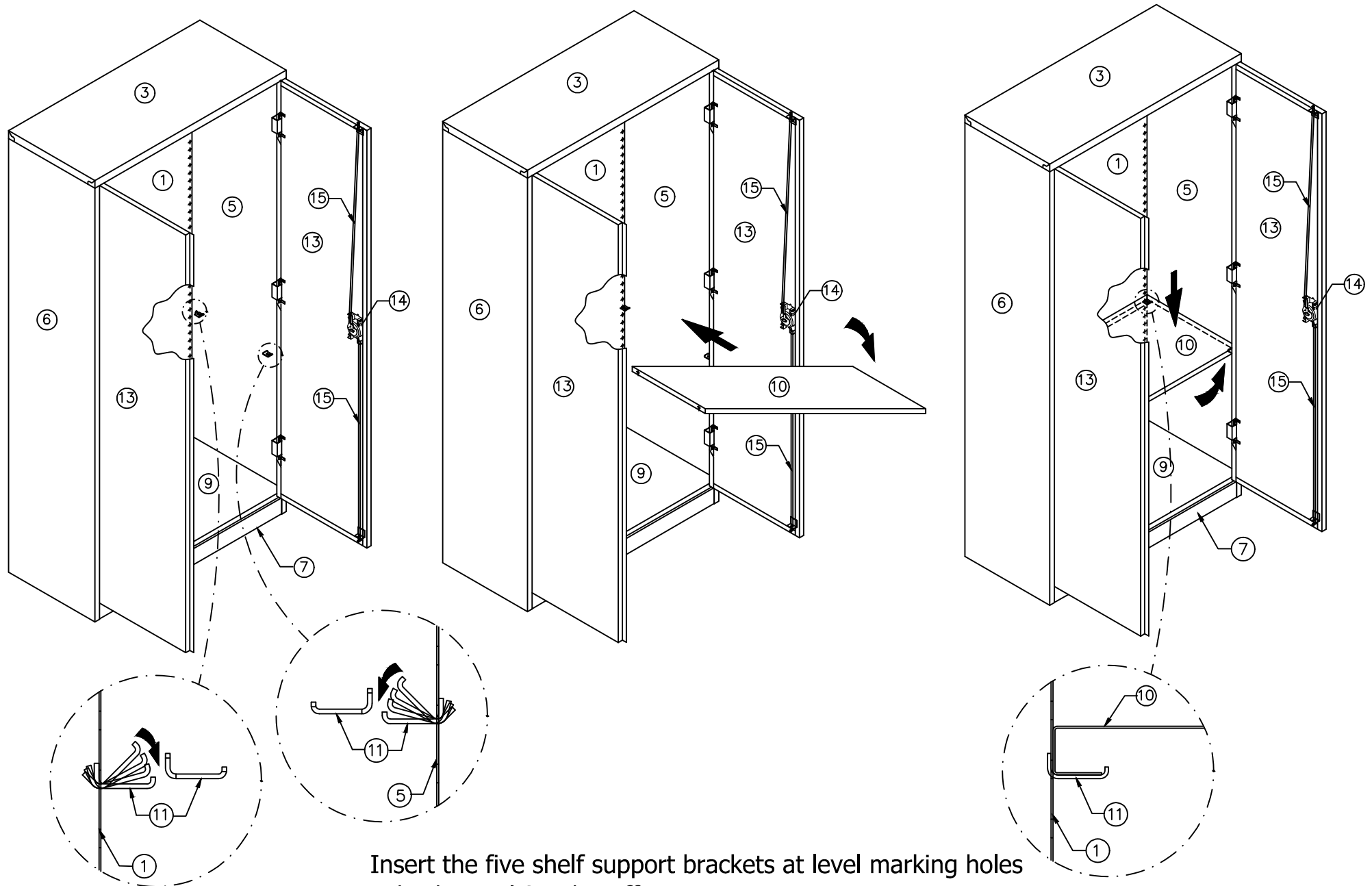


Hold the door in closed position and align the door hinges with the side hinges, then push inside to fix.



Fix the bangers at 2 corners of door RH & LH as shown.

# SHELF PANEL FIXING



Insert the five shelf support brackets at level marking holes in back panel & side stiffener.

Place the shelf on shelf supports.